

PROTEKT[®]

Anchor point for concrete AT 021T

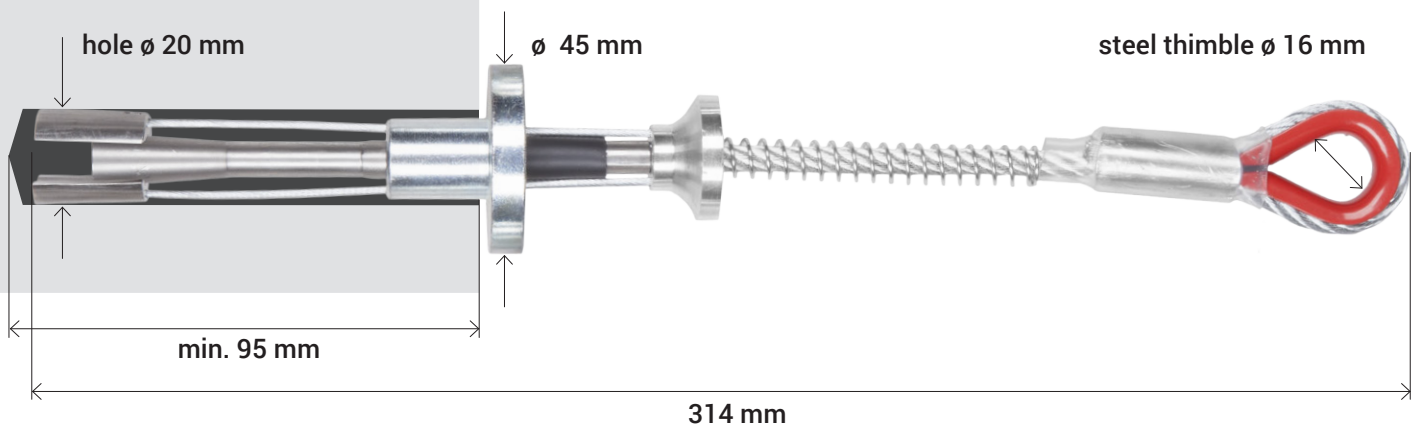
CE EN795/B



protection
for 1 user



Made
in Poland



Static strength:	12 kN
Surface strength:	beton min. B20
Material:	galvanized steel stainless steel aluminium

Anchor AT021T is an easy-to-mount temporary anchor point for permanent structures, intended for protection of 1 user, installed on concrete of class min. B20. The anchor AT021T can be used for installation on vertical, horizontal or inclined surfaces.

PROTEKT[®]
WWW.PROTEKT.UK

OFFICE - Skromna 6, 93-405 Lodz, POLAND / CORRESPONDENCE ADDRESS - PROTEKT, Starorudzka 9, 93-40 Lodz, Poland
SALES DEPARTMENT Phone +48 42 29-29-500, export@protekt.com.pl, fax +48 42 680-20-93
WAREHOUSE - Gombrowicza 6, 93-405 Lodz, Poland