

PROTEKT[®]

Anchor point for concrete

AT021



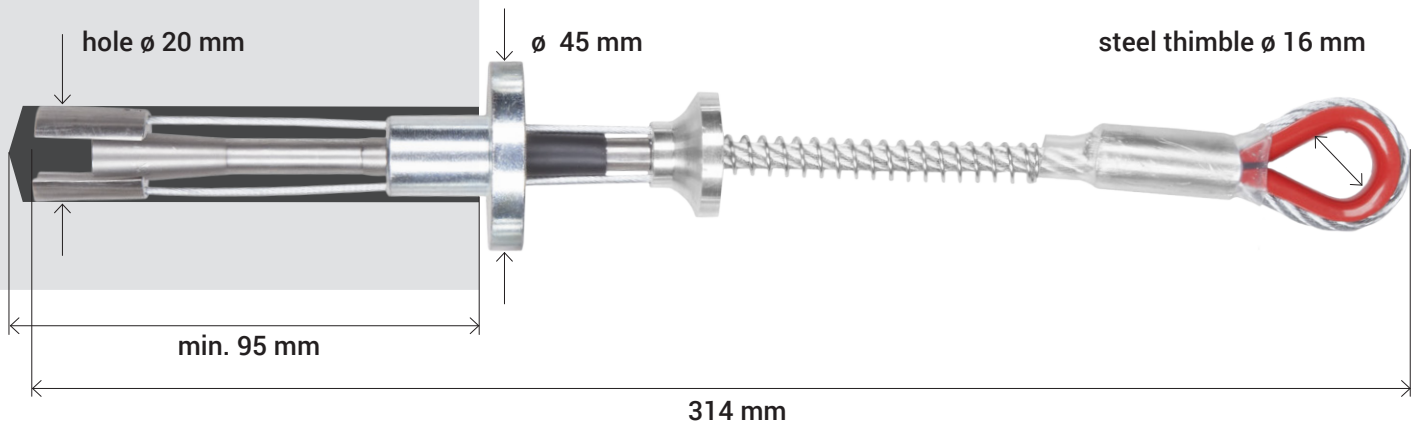
CE EN795/B



protection
for 1 user



Made
in Poland



Static strength:	12 kN
Surface strength:	beton min. B20
Material:	galvanized steel stainless steel aluminium

Anchor AT021T is an easy-to-mount temporary anchor point for permanent structures, intended for protection of 1 user, installed on concrete of class min. B20. The anchor AT021T can be used for installation on vertical, horizontal or inclined surfaces.