

ST 012

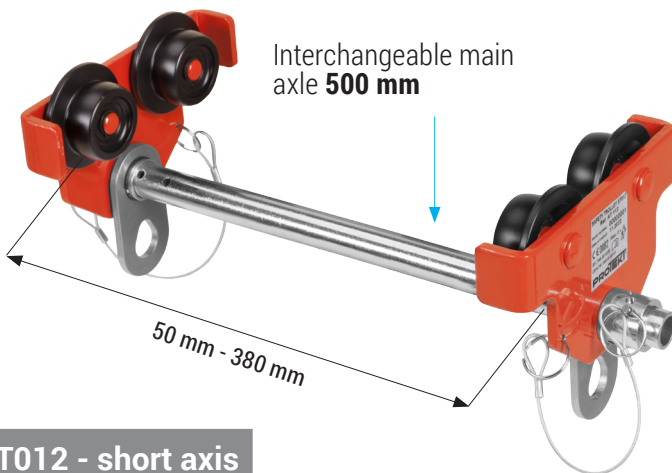
Hitching device with adjustable main axis.



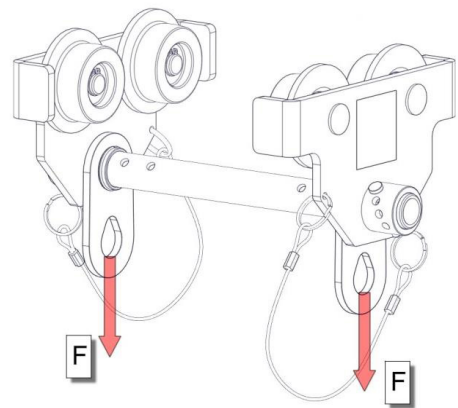
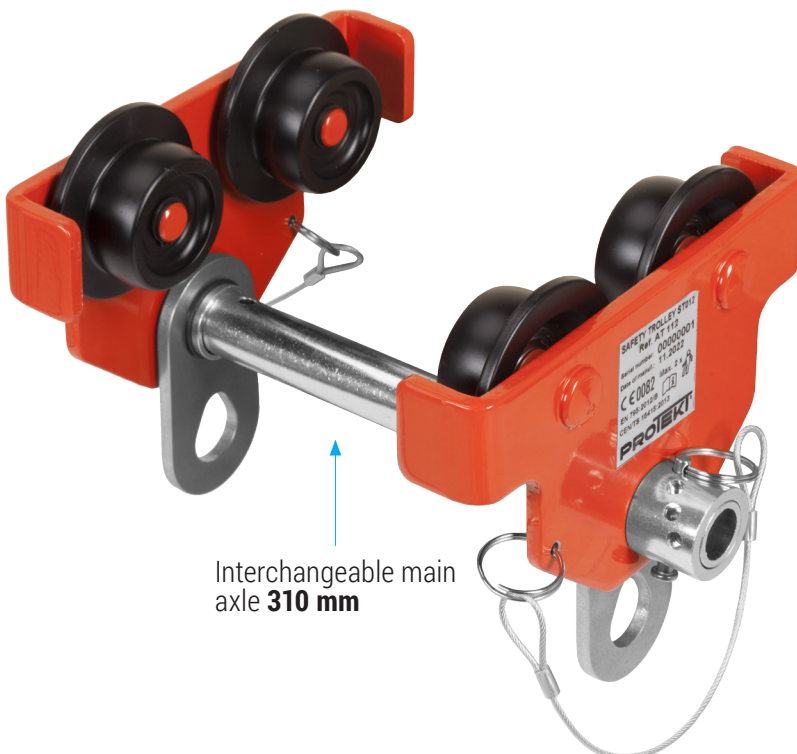
EN795:2012 Typ B
CEN/TS 16415:2013



ST012 - long axis



ST012 - short axis



Anchor point **ST012** is a type B anchor device complying with EN 795 and is used to protect two people working at the same time. The ST012 anchor point may only be used as a personal protective device to protect a worker from falling and **may not be used for lifting loads**. The device is made of steel. The strength of this point is min. 13 kN. The device comes in two size versions giving a spacing range of **50-380 mm** depending on the main bushing used.

The **ST012** attachment point is designed for installation on steel and aluminum profiles capable of supporting loads **>13 kN** at the installation site of the device.

PARAMETERS

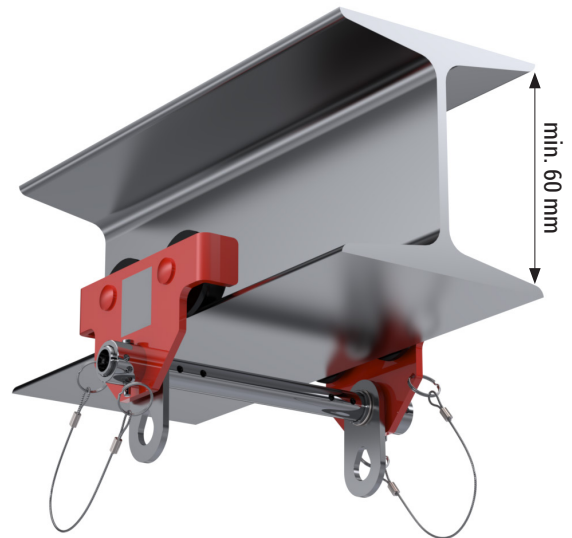
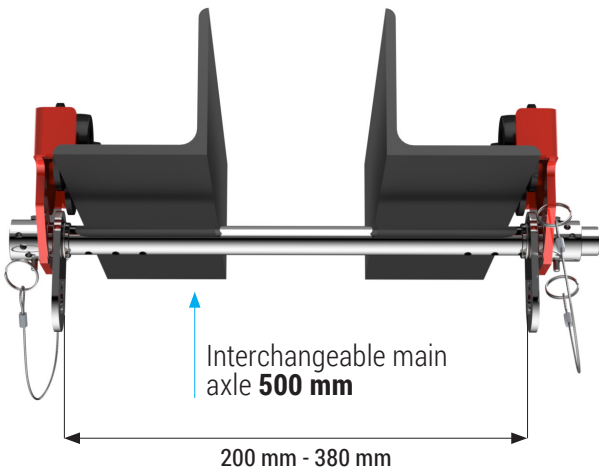
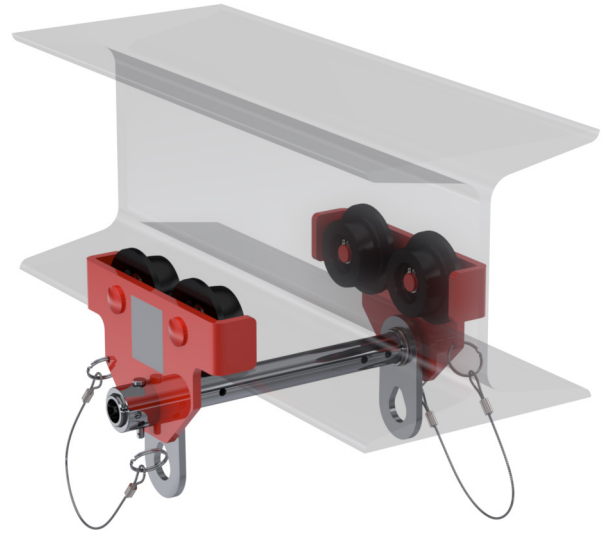
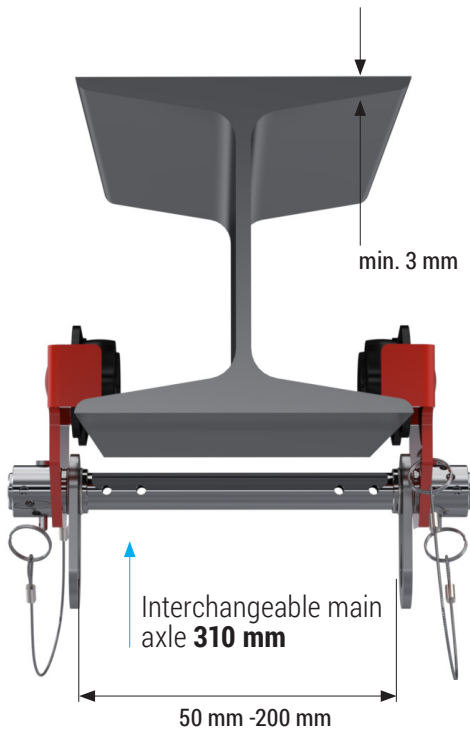
Static strength:	min. 13 kN
Dimensions:	with 310mm axle - 310x200x140 mm with 500mm axle - 500x200x140 mm
Material:	steel
Weight:	with 310mm axle - 4925 g with 500mm axle - 5243 g

WWW.PROTEKT.UK

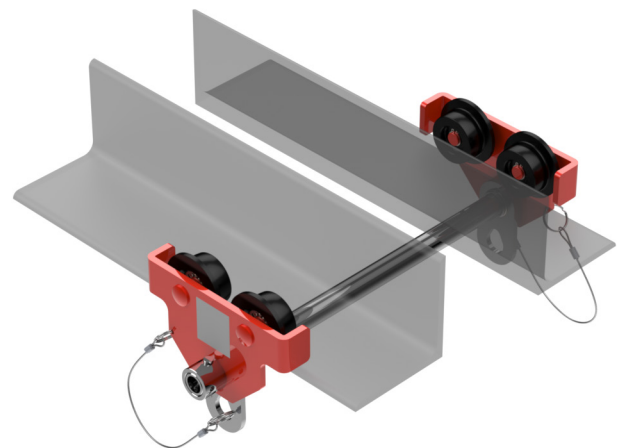
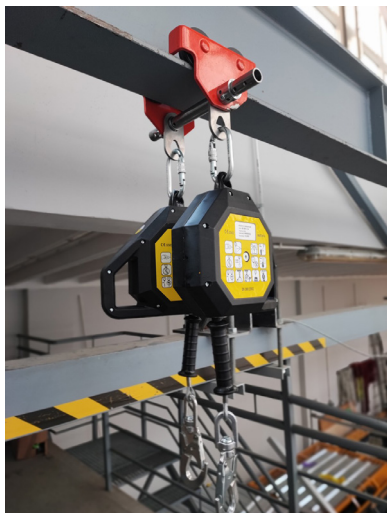


Hitching device with adjustable main axis **ST 012**

EXAMPLES OF MOUNTING ON STEEL PROFILES



EXAMPLES APPLICATIONS OF CART ST 012



WWW.PROTEKT.UK

PROTEKT[®]

OFFICE - Skromna 6, 93-405 Lodz, POLAND / CORRESPONDENCE ADDRESS - PROTEKT, Starorudzka 9, 93-403 Lodz, POLAND
SALES DEPARTMENT Phone +48 42 29-29-500, export@protekt.com.pl, fax +48 42 680-20-93
WAREHOUSE - Gombrowicza 6, 93-405 Lodz, POLAND