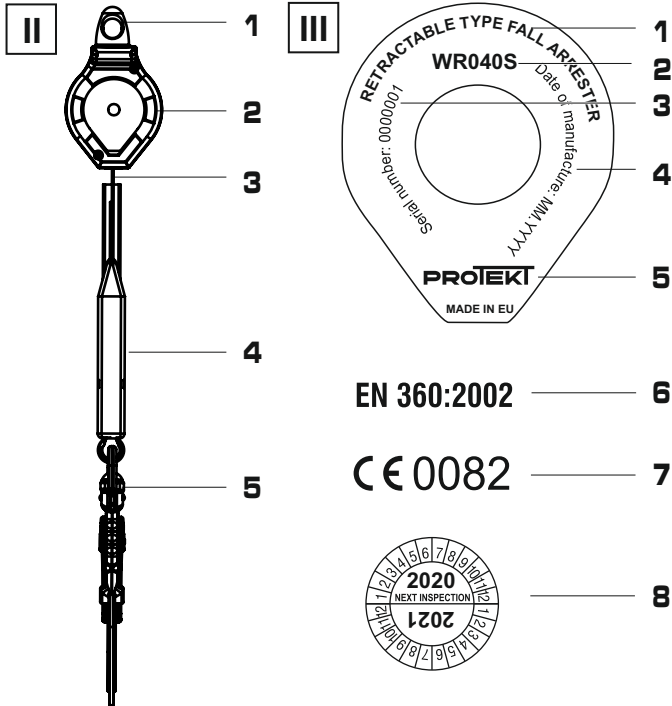


PROTEKT®

CE 0082

EN 360:2002 WR040S/WR040Si

GB RETRACTABLE TYPE FALL ARRESTER



EN 360:2002

CE 0082

GB - NOTICE: Read and fully understand these instructions before using this equipment.

I. DESCRIPTION

The retractable-type fall arrester device is a component of the personal protective equipment against falls from a height and conforms to EN 360:2002.

The fall arrester is the protection for one person only.

Available lengths of the device:

- Ref. WR 040S - 2 meters

Maximum Working Load:140 kg.

II. NOMENCLATURE

1. Top swivel for attaching the device
2. Webbing retractor with brake inside plastic cover
3. Working webbing 18mm
4. Energy absorber
5. Snap hook with swivel function (fall indicator as an option)

III. MEANING OF THE MARKING

1. Type of the device
2. Reference number of the device
3. Number of the manufacturing series
4. Month/year of the device manufacture
5. Marking of the manufacturer or distributor
6. European standards (number/year)
7. CE marking with identity number of the notified body controlling manufacturing of the equipment
8. Month and year of the manufacturer's next inspection
9. Inspect the device before each use
10. Before use read the manual
11. Check locking before each use
12. Range of operating temperatures
13. Maximum working load
14. Store the device in a protected place
15. Tested with "fall factor 2" according to recommendation CNB/11.085 also approved for use at foot level (FF2)
16. Use only a full body harness conformed to EN 361
17. Don't release rapidly unwinded webbing
18. Don't repair the device yourself
19. Don't use the device with damaged webbing

IV. CONNECTING THE FALL ARRESTER TO STRUCTURAL ANCHOR POINT

PRE-USE INSPECTION

Before each use, a person who is going to use the fall arrester, shall make a close visual examination of the retractor's elements: cover, snap hook, handle, working cable or webbing (entire length), must be carried out in respect of mechanical, chemical and thermal defects. The user has to check the retractor functioning by dynamic pulling the working cable/webbing.

The cable/webbing should block and stops pulling out. After releasing the cable/webbing, the retractor should pull in the cable/webbing. The examination must be carried out by the user of the device. In the case of any defect or doubt of correct condition of the fall arrester, do not use it.

During use the fall arrester should be protected from a contact with oils, acids, solvents, basics, open fire, hot metal drops and sharp edges. During working on the lattice constructions we should avoid interleaving the working webbing between the individual construction elements. We should avoid using the device in the dust laden and greasy environment.

Using the fall arrest, in connection with fall arrest system, must be compatible with manual instructions of the systems

and obligatory standards:

- EN795 - for anchorages
- EN361 - for the safety harness
- EN362 - for the connectors

The fall arrester must be connected to structural anchor point using a connector [A] or sling [B] complying with EN362 or EN795 standards. It is forbidden to use the webbing of the device as the loop [C].

Structural anchorage point should have static resistance min. 12kN.

The shape of the structural anchorage point should not let selfacting disconnection of the device. Safety connector or fastening elements has to be protected from lateral and bending forces. It is recommended to use certified and marked structural anchorage point complied with EN 795.

V. STRUCTURAL ANCHOR POINT REQUIREMENTS

When the device is installed in the vertical line above the user the minimal clearance distance below working level shall be 1,5 m. When work cable of the retractable type fall arrester is deflected from the vertical line, a pendulum effect may occur. To avoid a related risk, pay attention that the device work line deflection from the vertical.

When the device is installed at the foot level [CNB/11.085] the minimal clearance distance should be calculated as: $CL=L+B+h+s$ (see illustration [D]) where:

- CL- clearance distance
- L- max. length of the device 2m
- B- max. braking distance 1,75m
- h - height of the user
- s - safe distance ~1m

VI. CONNECTING THE FALL ARRESTER TO FULL BODY HARNESS

- the device must be connected only to frontal or dorsal attachment point of full body harness. Full body harness must conform to EN 361.

- always protect the gate of the snap hook against accidental opening with locking gear.

VII. PERIODIC INSPECTIONS

The device must be inspected at least once every 12 months from the date of first use. Periodic inspections must only be carried out by a competent person who has the knowledge and training required for personal protective equipment periodic inspections. Depending upon the type and environment of work, inspections may be needed to be carried out more frequently than once every 12 months. Every periodic inspection must be recorded in the Identity Card of the equipment.

VIII. MAXIMUM LIFESPAN OF THE EQUIPMENT

Retractable type fall arrester can be used without time limit on condition periodic inspections are carried out timely.

IX. WITHDRAWAL FROM USE

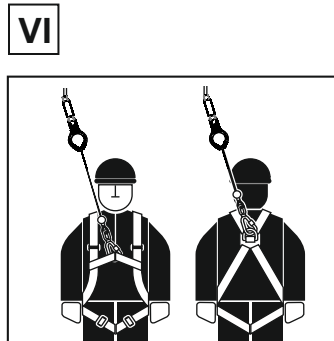
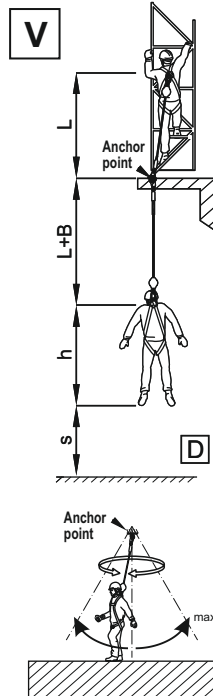
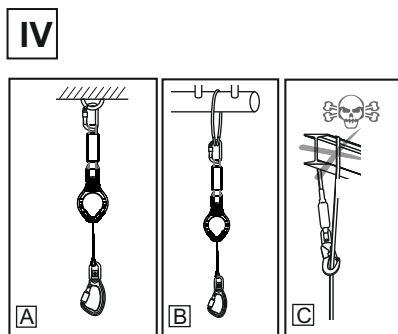
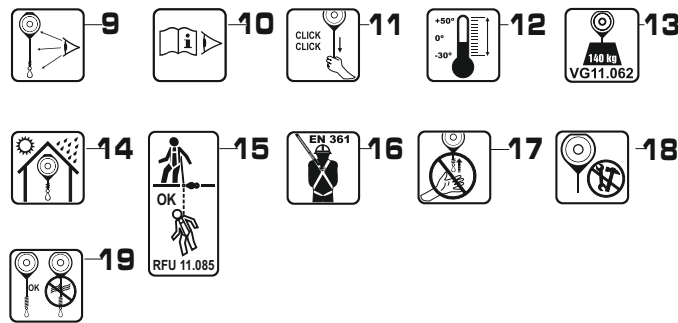
Retractable type fall arrester must be withdrawn from use immediately, if there are any doubts in regard of its correct condition and function. The device must not be used until the equipment manufacturer or his authorized representative carries out a detailed inspection and gives his written consent to use the equipment again.

Retractable type fall arrester must be withdrawn from use immediately and sent to the manufacturer or his authorized representative to carry out a detailed inspection, if it has been used to arrest a fall.

Any repair or service works can performed only by the device manufacturer or his authorized representative.

X. THE ESSENTIAL PRINCIPLES FOR USERS OF PERSONAL PROTECTIVE EQUIPMENT AGAINST FALLS FROM A HEIGHT:

- personal protective equipment shall only be used by a person trained and competent in its safe use.
- personal protective equipment must not be used by a person with medical condition that could affect the safety of the equipment user in normal and emergency use.



0001119

ed-1/20.05.2020

