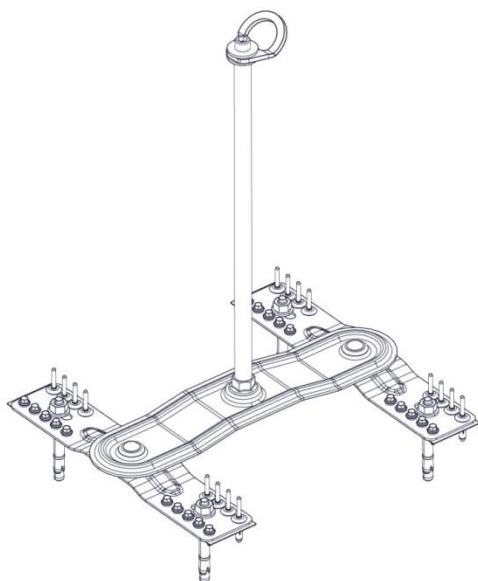


Universal anchor post

Reference number HL700
 EN 795:2012 Type A
 CEN/TS/16415:2013

TABLE OF CONTENTS:

1. General	1
2. General dimensions of anchor post.....	1
3. Inspection of technical condition.....	2
4. Release of anchor point to service	2
5. Installation of anchor post.....	2
6. Explanation of marking of product.....	4
7. Essential principles of use of personal fall protection equipment	4
8. Warranty	6
9. Identity Card.....	7



1. General

Anchor post is an anchor device compliant with EN795:2012 Type A and CEN/TS/16415:2013
 Anchor post is made of stainless steel.
 Anchor post is designed for 3 users working at a time.
 Static strength of the post is min. 14 kN
 The post is designed to be fixed on both trapezoidal sheets and concrete structures.

Anchor post conforms to Regulation of the European Parliament and of the Council (EU) of 9 March 2016 on personal protective equipment 2016/425.

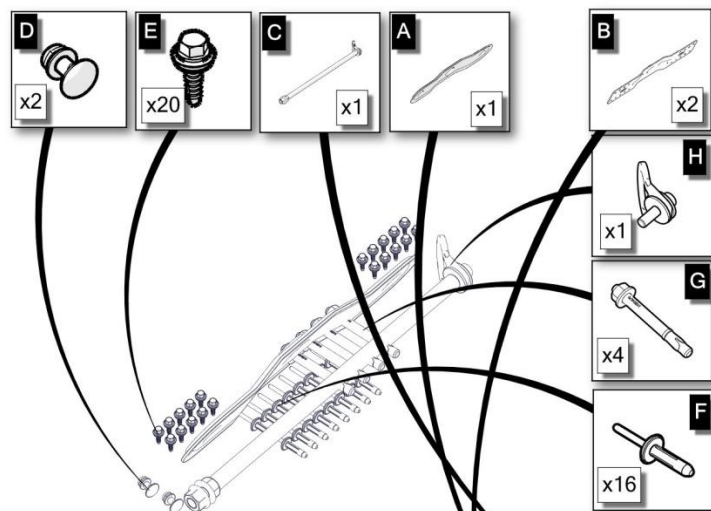


Figure 1. Elements of complete set

2. General dimensions of anchor post

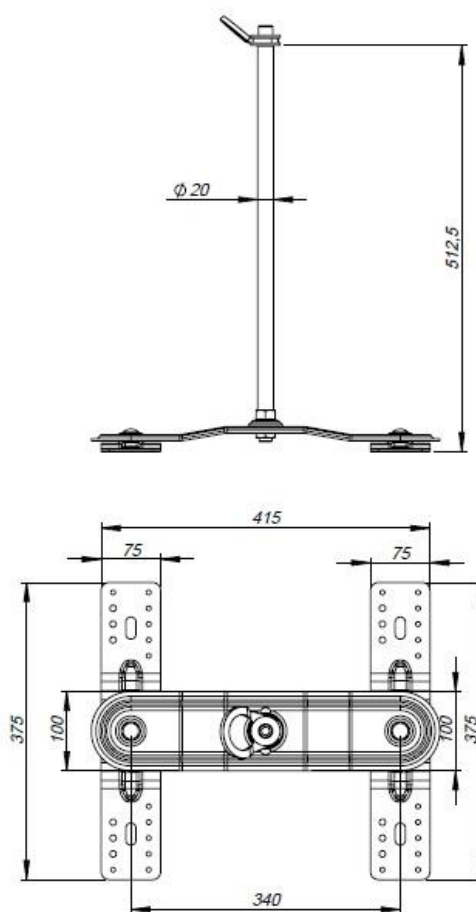


Figure 2. Dimensions of post

3. Inspection of technical condition

Anchor point as anchor post should be inspected periodically (at least once a year), and when disturbance of the supporting structure leading to deterioration of its protective characteristics is suspected.

Inspection should be carried out by a person in charge of personal protective equipment in user's organisation. Make sure to check polyester webbing for mechanical, chemical or thermal damages and its condition. Inspection of anchor sling and its release to further service should be recorded in the Identity card.

The device must be withdrawn from use immediately and destroyed if it has been used to arrest a fall or there are any doubts concerning its function.

NOTE: Maximum time of usage of the device depends on intensity and environment of use. If the device is used in heavy conditions, being exposed to frequent contact with water, sharp edges, corrosive substances, extreme of temperatures, it may be necessary to withdraw the device after only one use.

4. Release of anchor point to service

Before the device is used for the first time make sure to:

- inspect its technical condition by following procedure given in point 3 of the manual
- complete the Identity card with date of first release to service (record should be made by person in charge of personal protective equipment in user's organisation)

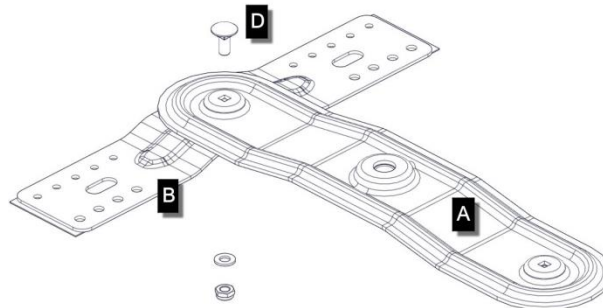
Anchor point should be used with relevant personal protective equipment against falls from height conforming to the following standards Figure 3:

Component of equipment	Standard
Personal protective equipment for work positioning	EN358
Lanyards	EN354
Energy absorbers	EN355
Retractable type fall arresters	EN360
Guided type fall arresters including a rigid and a flexible anchor line	EN353-2 and EN353-1
Descender devices for rescue	EN341
Connectors	EN362

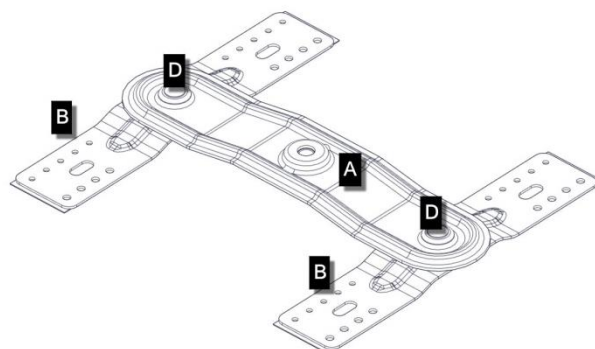
Figure 3. Chart of compatible standards

5. Installation of anchor post

- Unpack the anchor point
- Attach swivel plate [B] to main plate [A] with bolt M8 [D] using flat wrench or socket wrench size 13mm.



- Then attach the other swivel plate [B] to main plate [A] with bolt M8 [D] using flat wrench or socket wrench size 13mm.



- On such base, using flat wrench or socket wrench size 22mm install the bar with swivel point.

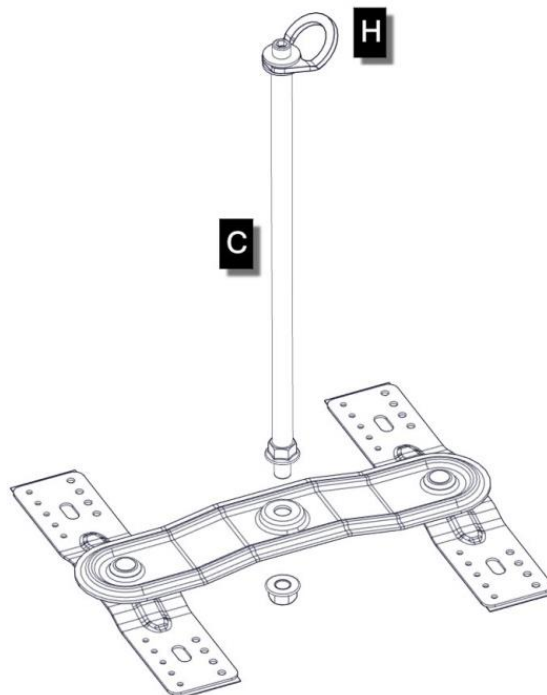


Figure 4. Installation of elements of post

- Anchor post when used or stored should not be exposed to the following:
 - Direct contact with flame, sparks or hot objects
 - Contact with solvents, oils and strong acids and bases
- Before installation the device should be stored in a clean place, free from vapours of aggressive substances and in conditions preventing any mechanical damages.
- Please take into account environmental conditions in the place of installation which may cause corrosion of the anchor point and fasteners.
- Follow general rules for use of personal fall protection equipment in accordance with EN 795:2012.
- Anchor points should be used in temperature between -30°C and 50°C.
- Depending on the thickness of trapezoidal sheet a proper method of installation of post should be selected, as follows:
 - For trapezoidal sheets with a thickness of 0.5mm - 0.63mm, the post should be riveted to the ground using BRALO rivets [F] **Figure 7**. Before inserting rivets in trapezoidal sheet, drill holes with a diameter of 8mm.

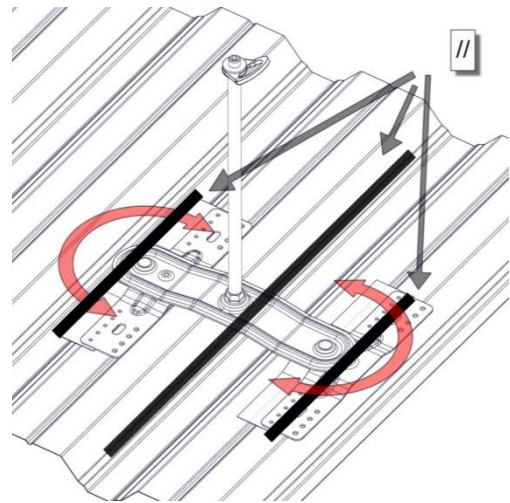


Figure 7. Positioning of post before installation

Particular steps of the installation are given in **Figure 9**

- Position plates [B] parallel to the shape of trapezoidal ridge of trapezoidal sheet **Figure 7**
- Pre-attach the post using 4 fasteners (screws or rivets according to diameter of holes in plates [B]). **Figure 8**

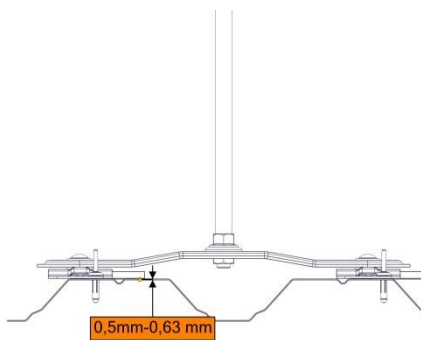


Figure 5. Installation on sheet using rivets

- For trapezoidal sheets with a thickness greater than 0.63mm or equal, both screwing and riveting of the post to the sheet can be applied **Figure 6**

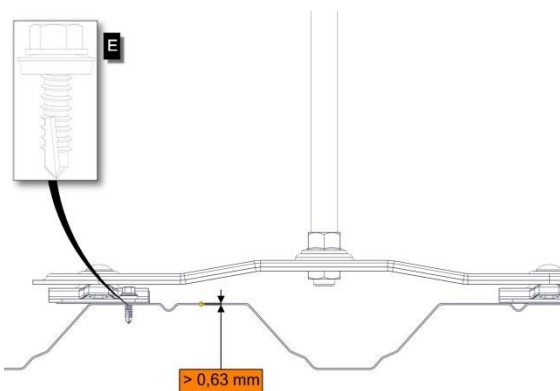


Figure 6. Installation on sheet using screws

- For a given spacing of trapezoidal ridges of the sheet, set swivel plates [B] so they are parallel to the trapezoidal sheet **Figure 7**.

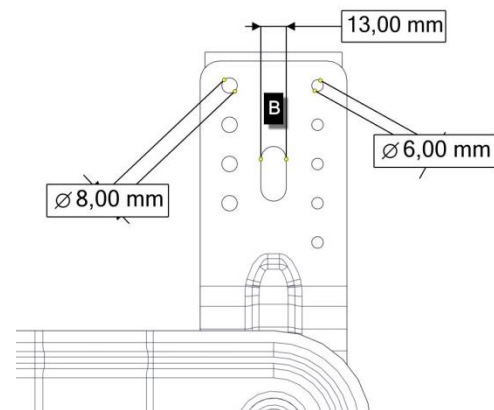


Figure 8. Installation holes in plate of post

- holes with a diameter of 8mm designed for rivets
- holes with a diameter of 6 mm designed for screws
- hole with a width of 13mm designed for mechanical anchors for concrete.

- Insert fasteners in the remaining holes
 - for fastening with screws – 20x screws 5.5
 - for fastening with rivets – 16x rivets BRALO 7mm
 - for fixing on concrete – 4x segment anchors M12 Hilti or equivalent.

6. Explanation of marking of product

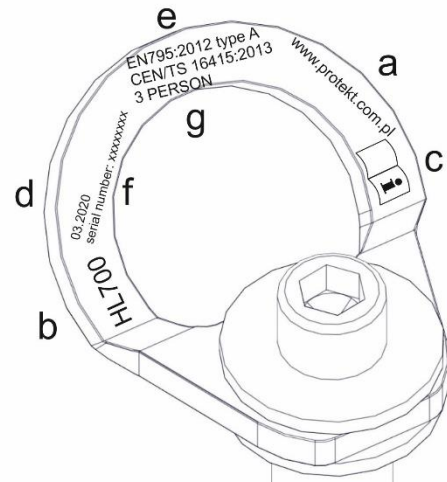


Figure 10. Marking of the product

- a- Manufacturer data
- b- Name of product
- c- Read the manual before use
- d- Date of manufacture
- e- No. of standard
- f- Serial number of product
- g- Number of simultaneous users of the device.

7. Essential principles of use of personal fall protection equipment

- Anchor device must be used in accordance with instruction manuals of personal fall protection equipment and standards:

EN 361 - for full body harnesses

EN 352-3; EN 355; EN 360 - for fall restraint devices

EN 362 - for connectors

EN 795 - for anchor points

- personal fall protection equipment should be used only by personnel trained in its use.
- personal fall protection equipment must not be used by a person with medical condition that could affect the safety of the equipment user in normal and emergency use.
- prepare a rescue plan to be implemented whenever necessary.
- it is forbidden to make any alterations or additions to the equipment without prior written consent given by the manufacturer.
- any repair shall only be carried out by manufacturer of the equipment or his certified representative.
- personal fall protection equipment shall not be used for any purpose other than intended.
- personal fall protection equipment provides individual protection and shall be used by one person only.
- before each use make sure that all parts of fall protection system cooperate correctly. Periodically

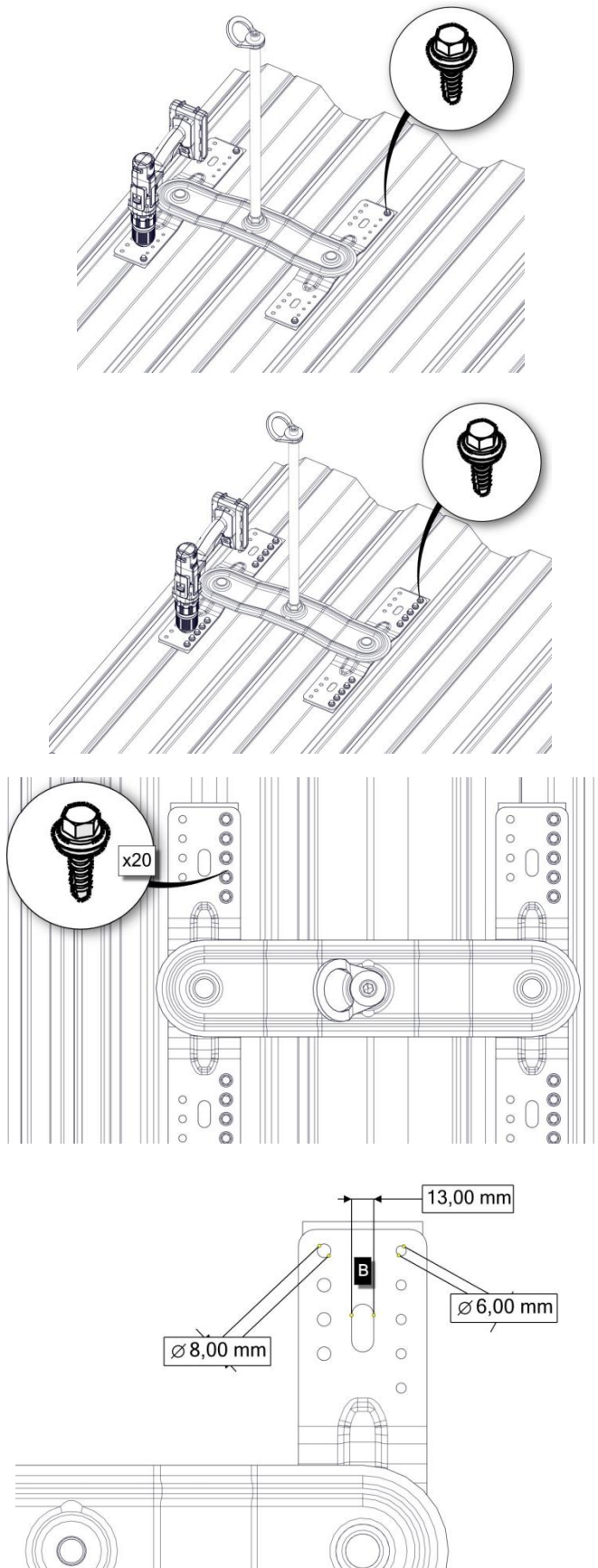


Figure 9. Steps of installation of posts using screws

examine connections and fitting of components of the equipment to prevent any accidental loosening or disconnection.

- it is forbidden to use a combination of the equipment where function of any one item is affected by, or interferes with the function of any other.
- before each use of personal fall protection equipment, a pre-use check should be carried out to ensure that it is in a serviceable condition and operates correctly.
- in particular, inspect all accessible elements of the equipment for any damages, excessive wear, corrosion, abrasion, cutting or improper function. For individual devices pay particular attention to:
 - ✓ in full body harnesses and work positioning devices: buckles, regulating elements, attachment points (buckles), webbing, seams, belt loops;
 - ✓ in energy absorbers: attachment loops, webbing, seams, housing, connectors;
 - ✓ in lanyards and textile guides: rope, loops, thimbles, connectors, regulating parts, splices;
 - ✓ in lanyards and steel guides: rope, wires, clamps, loops, thimbles, connectors, regulating parts;
 - ✓ in retractable type fall arresters: lanyard or webbing, retractor and locking mechanism for proper operation, housing, energy absorber, connectors;
 - ✓ in guided type fall arresters: body, proper guiding, locking mechanism for proper operation, rollers, bolts and rivets, connectors, energy absorber;
 - ✓ in connectors (snap hooks): load-bearing body, rivets, main pawl, locking mechanism functionality.
- at least once a year, after each 12 months of use, personal fall protection equipment must be withdrawn from use to carry out periodic detailed inspection. Periodic inspection may be carried out by a person who is responsible for periodic inspections in user's organisation and properly trained in this respect. Periodic inspections can be carried out also by manufacturer of the equipment or his authorized representative, or an authorized company. Inspect in detail all accessible elements of the equipment paying attention to any damages, excessive wear, corrosion, abrasion, cutting or incorrect function (see the above item.) In some cases, if the fall protection equipment has a complex design (e.g. fall arresters), periodic inspections can be carried out by manufacturer of the equipment, or his authorized representative only. After the periodic inspection, date of the next inspection should be defined.
- regular periodic inspections are essential in respect of the equipment condition and safety of users which is dependant on functionality and durability of the equipment.
- during periodic inspection it is necessary to check the legibility of all markings on the equipment (identity label of the device).
- all information on fall protection equipment (name, serial no., date of purchase and date of first use, name of user, information on repairs and inspections and withdrawal from use) must be provided in the Identity card of the device. It is responsibility of user's organisation to provide the Identity card and to fill in the required details. The Identity Card should be filled in by a person responsible for protective equipment. It is forbidden to use personal fall protection equipment if the Identity Card is not filled in.
- if the equipment is re-sold outside the original country of destination the reseller must provide instructions for use, for maintenance, for periodic inspection and for repair in language of the country where the product is to be used.
- personal fall protection equipment must be withdrawn from use immediately if any doubts arise in regard of its condition, or proper operation. The equipment must not be used until manufacturer of the equipment carries out a detailed inspection and gives his written consent to use the equipment again.
- personal protection equipment must be withdrawn from use immediately and destroyed if it has been used to arrest a fall.
- full body harness is the only admissible device to be used to support the user's body in personal fall protection equipment.
- in full body harness use only attaching points (buckles, loops) marked with capital letter "A" to attach a fall protection system.
- Anchor point or device of the fall protection equipment should have a stable structure and position so as to prevent a possibility of the load fall and minimize a free fall distance. The equipment's anchor point should be located above the user's work station.
- The shape and construction of the anchor point shall not allow for a self-acting disconnection of the equipment. It is recommended to use certified and marked anchor points of the equipment compliant with PN-EN 795.
- It is obligatory to verify the free space required under the user at workplace before each use of the fall protection system, so that, in case of a fall, there is no collision with the ground or other obstacle in the fall path. The required free space should be determined on basis of the data given in the instruction manual of the equipment to be used.
- Personal fall protection equipment must be transported in a package (e.g.: bag made of moisture-proof textile or foil bag or cases made of steel or plastic) to protect it against damage or moisture.
- Personal fall protection equipment should be cleaned without causing adverse effect on the materials used in the manufacture of the equipment. For textile materials (webbings, ropes) use agents suitable for delicate fabrics. Can be washed in hands or in a washing machine. Rinse thoroughly.
- Wash textile products with water only. If the equipment becomes wet, either when cleaning or in use, allow it to dry naturally, and keep it away from any sources of heat. In metallic products lubricate slightly some mechanical parts (springs, hinges, pawls, etc.) regularly to ensure their better operation.
- Personal fall protection equipment should be stored loosely packed in well-ventilated rooms, protected from direct light, UV degradation, dust, sharp edges, extreme temperatures and aggressive chemical substances.

8. Warranty

The manufacturer grants a warranty for 12 months from the date of purchase of the device. If a defect is found in any part, the warranty and guarantee period for this part is extended by the time of repairs and effective removal of the defect found.

The warranty covers:

- Defects in material,
- Structural defects,
- Anti-corrosion coating defects

According to the requirements of EN 365 an anchor point shall be subject to periodic inspections carried out at least every 12 months. Periodic inspection shall be carried out by a service point authorized by the Manufacturer or a person trained in inspections of such equipment. A trained person is a person who, based on own specialized education and adequate experience, has sufficient knowledge in installed protective and rescue equipment, and is familiarized with applicable OHS regulations, guidelines and generally acknowledged technical rules to such extent that is able to assess safety of use and correct application of protection devices.

Before each use of the system check whether date of the next inspection is not expired. Do not use the device after this date. Before each use of the system visually check the system for its integrity and technical condition and whether steel cable is tensioned.

If any defect or lack of integrity is found, do not use the point.

If any doubts arise as for the use of the equipment, please contact the manufacturer and never repair the equipment on your own!

A system which has been used to arrest a fall must be withdrawn from use immediately!

The system which has been used to arrest a fall may be admitted for use again after a detailed inspection is carried out by the manufacturer or an authorised service point.

When using the system, pay special attention to risks affecting the protective equipment operation or the user's safety, and in particular to kinks and rope movement on sharp edges, oscillatory falls, electricity, influence of extreme temperatures, equipment damage, adverse environmental factors, chemical substances and contamination.

Neither modify, repair components of the system nor replace them with non-original spare parts.

9. Identity Card

IDENTITY CARD OF ANCHOR SLING (compliant with EN365)					
Reference number of device	HL700		Serial number:	
Date of first use (installation)		Date of manufacture:	
Installation location				
User name:				
Inspection and repair record					
No .	Date of inspection	Type of inspection / repair	Remarks	Date of next inspection	Name and signature of technician
1					
2					
3					
4					
5					
6					
7					
8					
9					
10					