



# PROTEKT®

# HLP 700

NEW

## Universal safety post for board OSB



Made in Poland

EN795: 2012 typ A  
CEN/TS 16415:2013

**F** 360°

**STATIC  
STRENGTH**

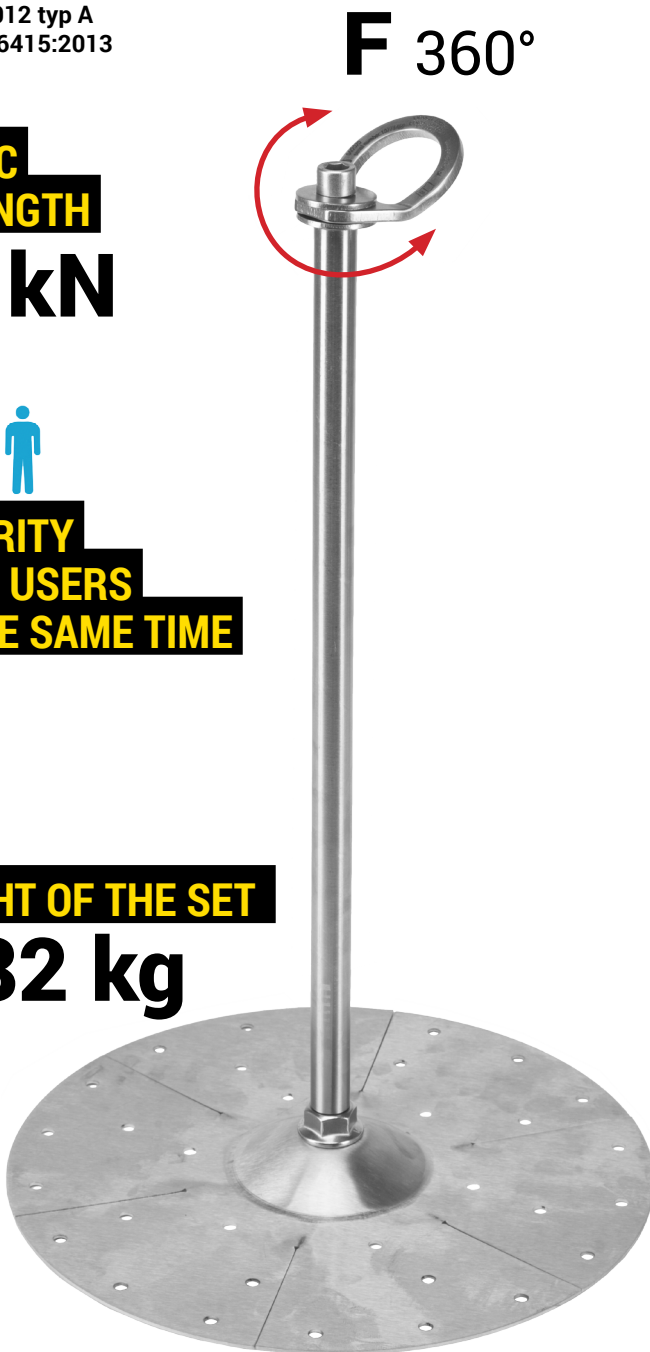
**14 kN**



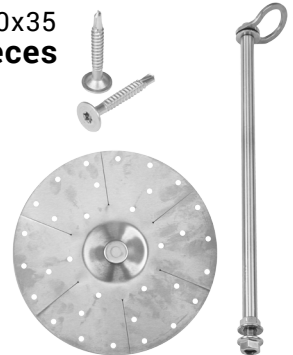
**SECURITY  
FOR 3 USERS  
AT THE SAME TIME**

**WEIGHT OF THE SET**

**2,82 kg**



JT3-ST-2-6,0x35  
32 pieces



**THE KIT  
INCLUDES:**

[WWW.PROTEKT.PL](http://WWW.PROTEKT.PL)

# PROTEKT®

OFFICE - Skromna 6, 93-405 Lodz, POLAND / CORRESPONDENCE ADDRESS - PROTEKT, Starorudzka 9, 93-403 Lodz, POLAND

SALES DEPARTMENT Phone +48 42 29-29-500, export@protekt.com.pl, fax +48 42 680-20-93

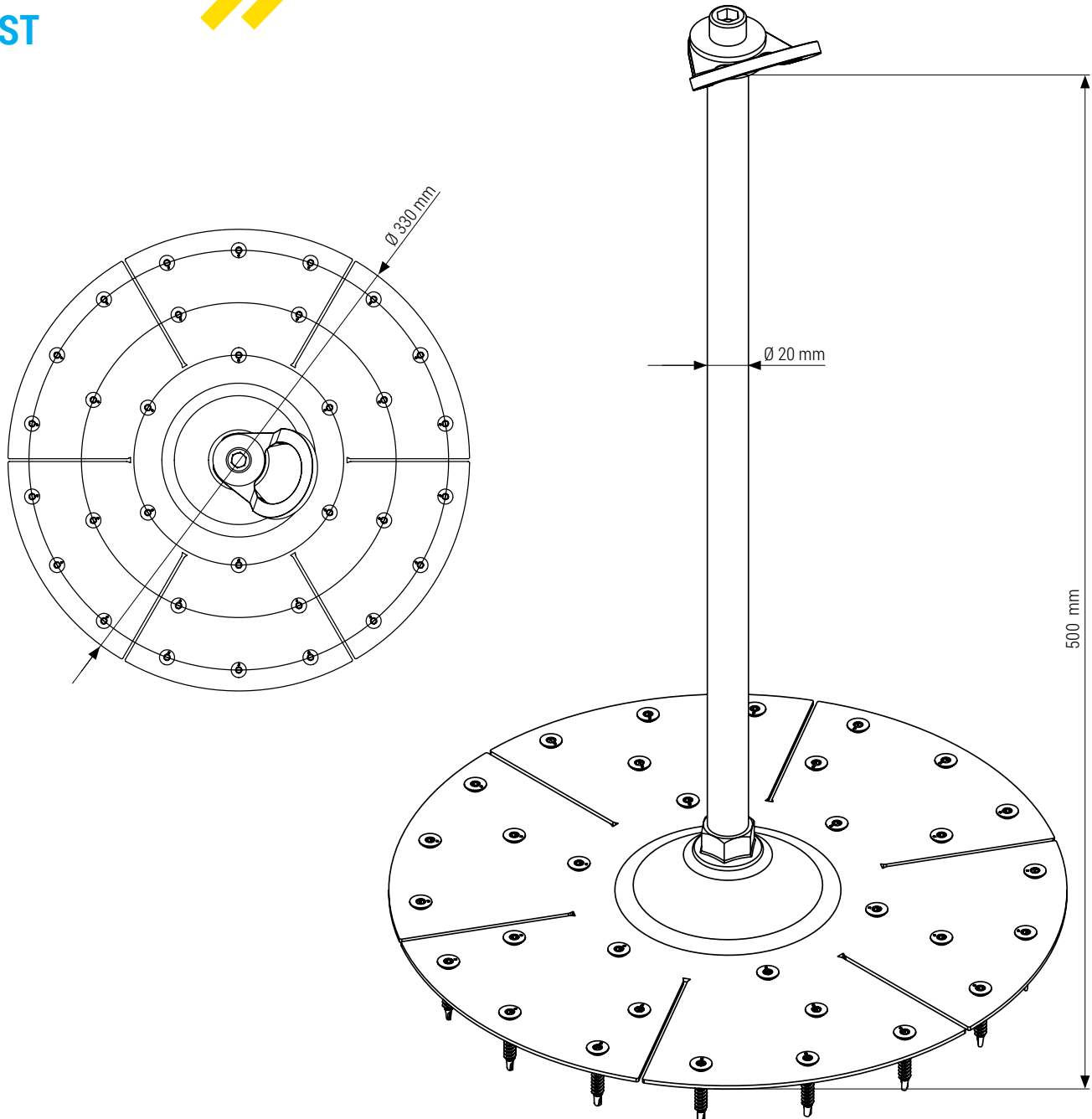
WAREHOUSE - Gombrowicza 6, 93-405 Lodz, POLAND

# HLP 700

NEW

## Universal safety post for board OSB

### DIMENSIONS GENERAL POST



The HLP 700 universal safety post is an anchoring device in accordance with EN795: 2012 type A and CEN / TS / 16415: 2013. The safety post is made of stainless steel for 3 users working simultaneously, with a static strength of min. 14 kN. The post is designed to be fixed to OSB boards with a minimum thickness of 12 mm with screws JT3-ST-2-6,0 x 35. HL 700 complies with the Regulation of the European Parliament and of the Council (EU) of March 9, 2016 on protection measures 2016/425.

**PROTEKT**

OFFICE - Skromna 6, 93-405 Lodz, POLAND / CORRESPONDENCE ADDRESS - PROTEKT, Starorudzka 9, 93-403 Lodz, POLAND

SALES DEPARTMENT Phone +48 42 29-29-500, export@protekt.com.pl, fax +48 42 680-20-93

WAREHOUSE - Gombrowicza 6, 93-405 Lodz, POLAND