

Steel cable anchorage sling with fall indicator **AZ411**

NEW

Steel cable anchorage sling with fall indicator AZ411 is a coupling device used for protection against falls from a height of up to 3 people simultaneously.

EN795:2012 TYP B
CEN/TS 16415:2013

Ref.: AZ411



SECURITY FOR
3 PERSONS

FALL
INDICATOR

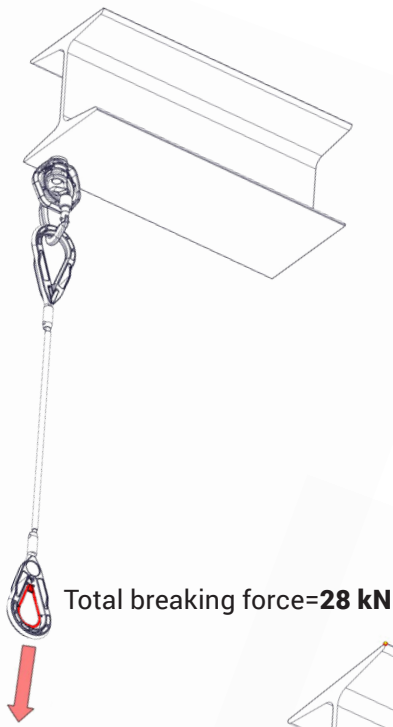


↑ VERTICAL USE OF THE DEVICE
↔ DEVICE USE OF THE HORIZONTALLY

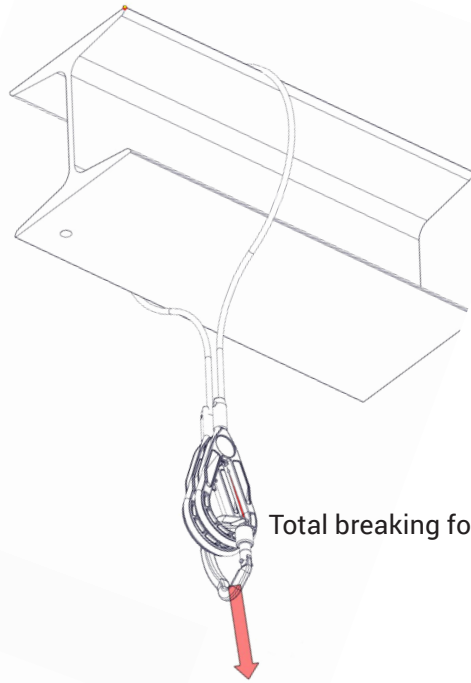
PARAMETERS

| | |
|----------------------------|---|
| Material: | galvanised steel with PVC coating |
| Diameter of the rope: | 6,3 mm |
| Device length: | 0,5 - 10 m |
| Minimal breaking strength: | 14 kN (EN795:2012 typ B CEN/TS 16415:2013) |

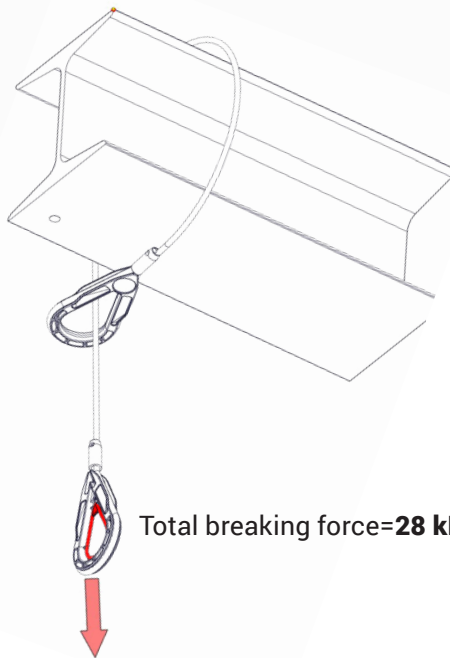
| REF NO: | DEVICE LENGTH |
|-----------|---------------|
| AZ411 05 | 0,5 m |
| AZ411 10 | 1 m |
| AZ411 20 | 2 m |
| AZ411 30 | 3 m |
| AZ411 50 | 5 m |
| AZ411 100 | 10 m |



Total breaking force=**28 kN**

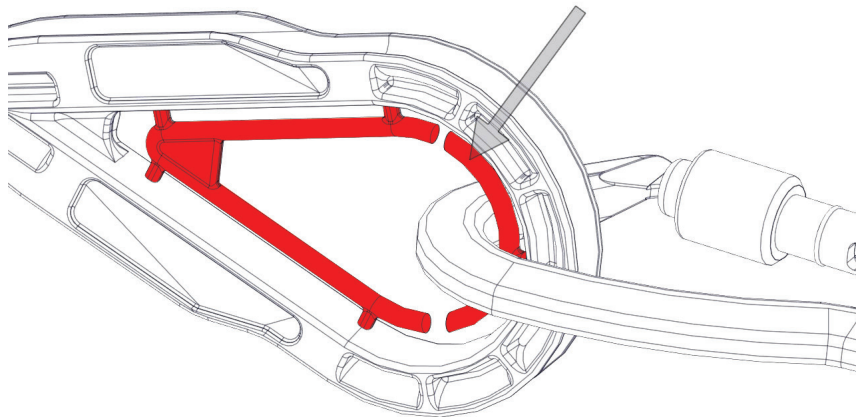


Total breaking force=**38 kN**



Total breaking force=**28 kN**

Fall indicator breaks at **~3-4 kN**
and it means that
AZ411 must be replaced with new one



WWW.PROTEKT.PL

OFFICE - Skromna 6, 93-405 Lodz, POLAND / CORRESPONDENCE ADDRESS - PROTEKT, Starorudzka 9, 93-403 Lodz, POLAND

SALES DEPARTMENT Phone +48 42 29-29-500, export@protekt.com.pl, fax +48 42 680-20-93

WAREHOUSE - Gombrowicza 6, 93-405 Lodz, POLAND